

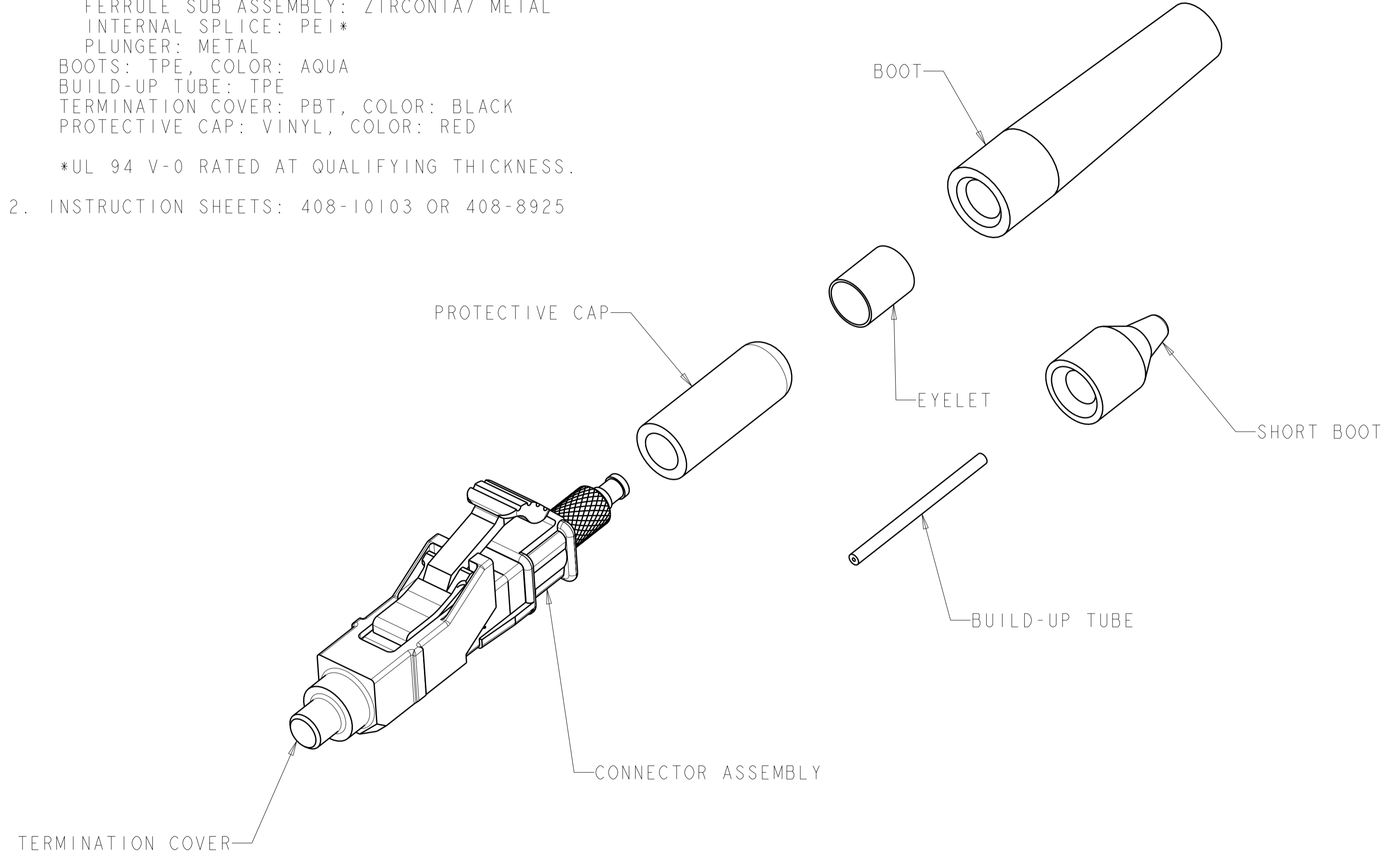
THIS DRAWING IS UNPUBLISHED. RELEASED FOR PUBLICATION 20
 © COPYRIGHT 20 BY TYCO ELECTRONICS CORPORATION. ALL RIGHTS RESERVED.

LOC	DIST	REVISIONS					
CE	00	P	LTR	DESCRIPTION	DATE	DWN	APVD
		1		NPR 08-0257	01APR2008	BB	CB
		2		ADD TERMINATION COVER	07JAN2009	BB	CB

⚠ MATERIAL:
 CONNECTOR ASSEMBLY:
 CONNECTOR HOUSING: PPSU, COLOR: SEE -NO'S.*
 REAR BODY: METAL
 COMPRESSION SPRING: METAL
 FERRULE SUB ASSEMBLY: ZIRCONIA/ METAL
 INTERNAL SPLICE: PEI*
 PLUNGER: METAL
 BOOTS: TPE, COLOR: AQUA
 BUILD-UP TUBE: TPE
 TERMINATION COVER: PBT, COLOR: BLACK
 PROTECTIVE CAP: VINYL, COLOR: RED

*UL 94 V-0 RATED AT QUALIFYING THICKNESS.

2. INSTRUCTION SHEETS: 408-10103 OR 408-8925



SLATE	1-1985960-0
ORANGE	1985960-9
VIOLET	1985960-8
BROWN	1985960-7
AQUA	1985960-6
ROSE	1985960-5
BLUE	1985960-4
GREEN	1985960-3
YELLOW	1985960-2
RED	1985960-1
KEYED HOUSING COLOR	PART NO.

<small>THIS DRAWING IS A CONTROLLED DOCUMENT FOR TYCO ELECTRONICS CORPORATION. IT IS SUBJECT TO CHANGE AND THE CONTROLLING ENGINEERING ORGANIZATION SHOULD BE CONTACTED FOR THE LATEST REVISION.</small>		DWN B. BRIGGS 01APR2008 CHK C. BENNETT 01APR2008 APVD S. BUCHTER 01APR2008	Tyco Electronics Tyco Electronics Harrisburg, PA 17105-3608
DIMENSIONS: mm 	TOLERANCES UNLESS OTHERWISE SPECIFIED: 0 PLC ± 1 PLC ± 2 PLC ± 3 PLC ± 4 PLC ± ANGLES ± FINISH	PRODUCT SPEC APPLICATION SPEC WEIGHT	NAME KIT, CONNECTOR, LightCrimp Plus LC SECURE, SIMPLEX, MM50XG, 250um-2.0mm JACKET SIZE A2 CAGE CODE 00779 DRAWING NO. 1985960 RESTRICTED TO
MATERIAL 		CUSTOMER DRAWING	SCALE 4:1 SHEET 1 OF 1 REV 2